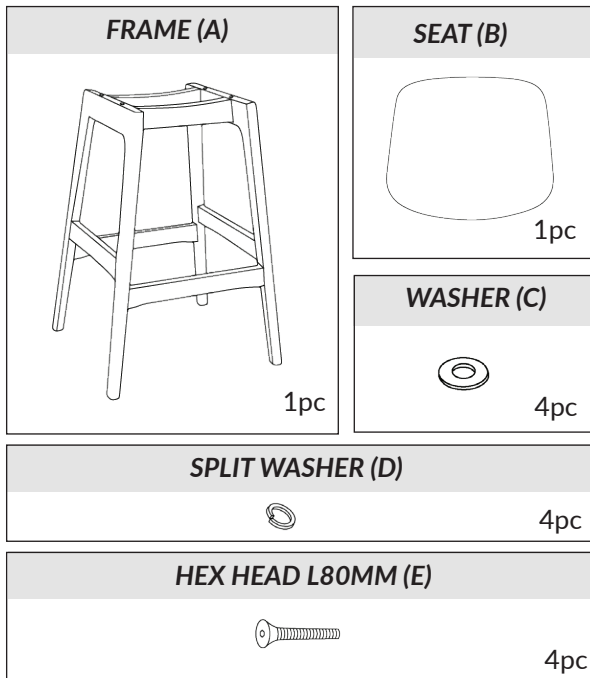


ARIZONA

Timber/Vinyl Stool



PARTS:



TOOLS (NOT INCLUDED):



We strongly recommend applying thread lock to the full length of all screws and using an impact drill.

WARNING:

Always take care with an impact drill gun, especially when screwing into the pads.

INSTRUCTIONS:

